



Water & Sewer System  
Accounting Office  
One City Square, Suite 420  
Warren, Michigan 48093-5288

### **WATER ONLY/SECOND METER PROGRAM POLICY**

Pursuant to action by the Mayor and City Council, Water Only/Second Meters are available for City of Warren utility customers. These meters can be installed to measure water usage that is not reasonably expected to require sanitary sewer treatment. Examples of such usage are lawn irrigation, pool filling, and other outside activities. Usage will be subject to water consumption and service charges as currently provided for in the water utility rate ordinance and are subject to change as the ordinance is amended. Waste water treatment consumption and service charges will not be applied to water usage measured through this meter.

Meter costs do not include the cost for modifications to the customers plumbing or backflow prevention devices. This work can be done by the homeowner or a plumbing contractor and all work shall be in accordance with local and state plumbing codes. In addition, monthly service charges and minimum bill fees will be applied to all active accounts. Therefore, the customer's outdoor water usage pattern will determine the economic desirability of participation in this program.

The Water Only/Second Meter shall be installed horizontally and be installed as close as possible to the main meter. Shut-off valves, the same size as the meter, must be installed on both sides of both meters. Ample room should be left around both meters for installation, service and repair, and reading of the meter. The meter will remain the property of the City.

All hose bibs and irrigation systems must have code approved backflow prevention. Consult with the Water Division Cross Connection Inspector, Paul Bradley at (586) 759-9240.

Commercial and industrial customers who can clearly demonstrate that other usages are not going into the sanitary sewer should contact the Water Division Assistant Superintendent, David Koss, at (586) 759-9224.

Any evidence the Water Only/Second Meter was used for domestic water consumption (fraudulent use) shall automatically result in the assessment of both water and sewer charges on the volume of water utilized through the Water Only/Second Meter from the time of its original installation, loss of Water Only/Second Meter privileges, and fines of up to \$1,000.00.

Revised December 2023



**Water & Sewer System**  
Accounting Office  
One City Square, Suite 420  
Warren, Michigan 48093-5288

## **WATER ONLY/SECOND METER PROGRAM PROCEDURES**

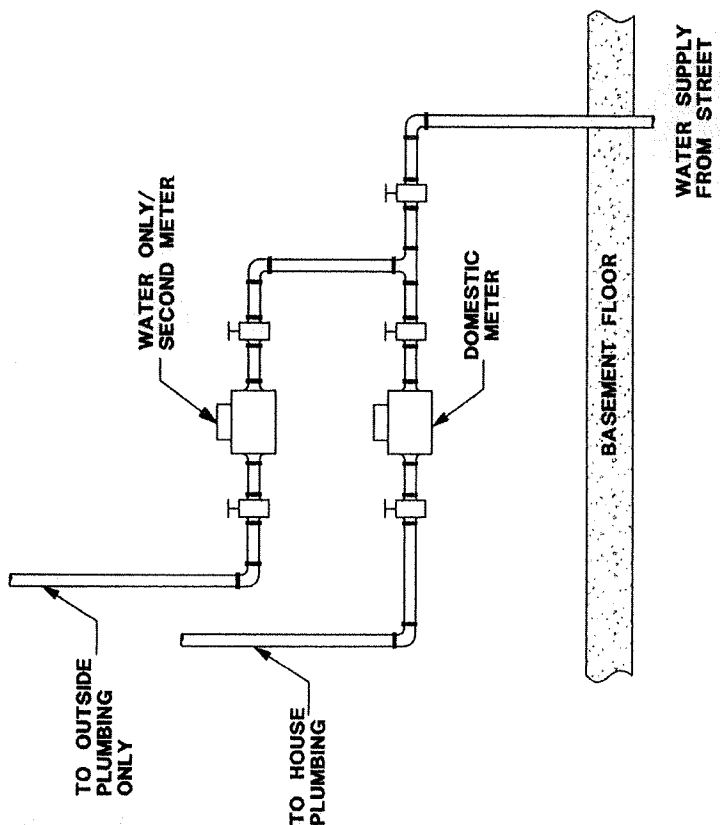
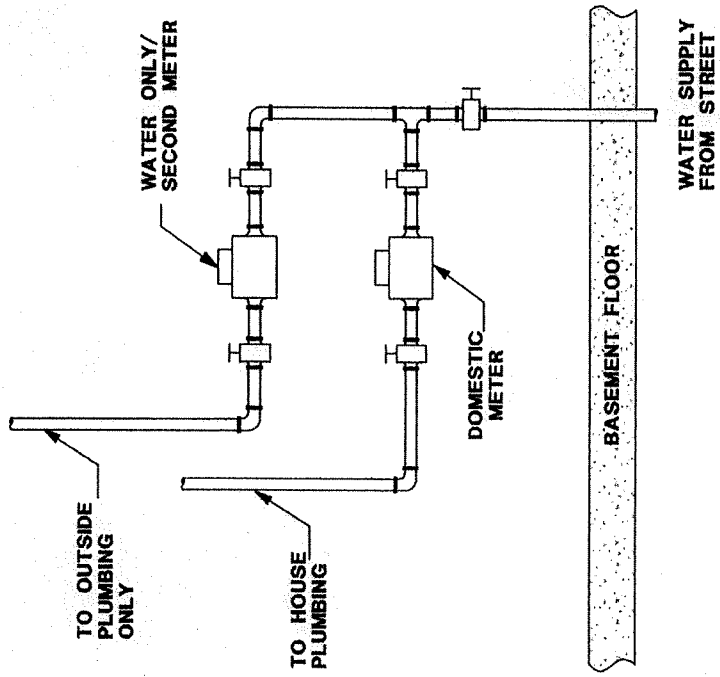
### **Existing Buildings**

1. Purchase the Water Only/Second Meter from Water Accounting located at City Hall, One City Square, 4<sup>th</sup> Floor, Warren, Michigan, 48093.
2. Complete plumbing work within ten (10) days of purchase of the Water Only/Second Meter.
3. When the plumbing work is complete, call the Water Division Plumbing/Cross Connection Inspector, Paul Bradley at (586) 759-9240 to schedule an inspection.
4. After the approval of the Plumbing/Cross Connection Inspector, call the Water Division Customer Service at (586) 759-9200 within three (3) days to schedule the Water Only second meter and remote reader installation.

### **New Buildings**

1. Purchase the Water Only/Second Meter at the time of application for water service.
2. Have plumbing inspected during regular construction by the Building Division. Both the domestic use and Water Only second meter will be installed at the same time.

Revised December 2023



THE WATER ONLY/SECOND METER SHALL BE INSTALLED HORIZONTALLY AND BE INSTALLED AS CLOSE AS POSSIBLE TO THE MAIN METER. SHUT-OFF VALVES, THE SAME SIZE AS THE METER, MUST BE INSTALLED ON BOTH SIDES OF BOTH METERS. AMPLE ROOM SHOULD BE LEFT AROUND BOTH METERS FOR INSTALLATION, SERVICE AND REPAIR, AND READING OF THE METERS. ALL HOSE BIBS AND IRRIGATION SYSTEM MUST HAVE CODE APPROVED BACKFLOW PREVENTION.

WATER DIVISION  
CITY OF WARREN, MICHIGAN

**WATER ONLY/SECOND METER  
TYPICAL PIPING DIAGRAM**

DRAWN BY: D.D.Z.	DATE 7/22/03	SHEET NO. 1 OF 1
CHECKED BY:	APPROVED BY:	SCALE NONE





Water & Sewer System  
 Accounting Office  
 One City Square, Suite 420  
 Warren, Michigan 48093-5288

## WATER ONLY/SECOND METER FEES 2023/24

Meters*	<u>Fee</u>
5/8"	\$152.00
+ Template	\$ 20.00
+ Meter Install - 1 Hour	\$ 66.00
1"	\$289.00
+ Template	\$ 30.00
+ Meter Install - 1 Hour	\$ 66.00
1 ½"	\$612.00
+ Flange Kit	\$165.00
+ Meter Install - 1 Hour	\$ 66.00
2"	\$787.00
+ Flange Kit	\$208.00
+ Meter Install - 1 Hour	\$ 66.00
Meter Transmitter Unit	
Single Port	\$114.00
Dual Port	\$144.00
T/off-Inactivate Acct	
5/8" & 1"	\$ 25.00
1 ½" & 2"	\$ 50.00
T/on-Reactivate Acct	
5/8" & 1"	\$ 25.00
1 ½" & 2"	\$ 50.00
Plumbing Permit Fee	No charge
Cross Connection Inspection Fee	No charge
*Includes Construction Service	
5/8" & 1"	\$ 15.00
1 ½"	\$ 25.00
2"	\$ 35.00

Fees Updated: Effective October 1, 2023

**City of Warren Water & Sewer Charges By Consumption**  
**{October 2023 Bill thru July 2024 Bill}**

**Consumption Based Charges**

<b>Residential per 100 CF</b>		
Water	\$	4.3520
Sewer	\$	3.4420
State-Mandated Fees***	\$	0.9600
<b>Commercial/Industrial per 100 CF</b>		
Water*	\$	4.5220
Sewer**	\$	3.8717
State-Mandated Fees***	\$	0.9600
*includes Cross-Connection Charge of:	\$	0.1700
**includes Commodity Charge of:	\$	0.4297
***only on accounts with sewer service		

	<b>Service Charges</b>		
	Meter Size	Water	Sewer
	5/8"	\$ 0.84	\$ 2.03
	3/4"	\$ 1.68	\$ 4.06
	1"	\$ 3.36	\$ 8.12
	1-1/2"	\$ 8.40	\$ 20.30
	2"	\$ 21.00	\$ 50.75
	3"	\$ 37.80	\$ 91.35
	4"	\$ 75.60	\$ 182.70
	6"	\$ 142.80	\$ 345.10
	8"	\$ 252.00	\$ 609.00
	10"	\$ 420.00	\$ 1,015.00
	12"	\$ 840.00	\$ 2,030.00

**MONTHLY CHARGES BY CONSUMPTION {YOU MUST ADD SERVICE CHARGES TO TOTAL BELOW}**

RESIDENTIAL					COMMERCIAL/INDUSTRIAL				
USAGE	WATER	SEWER	S. M. FEE	TOTAL	USAGE	WATER	SEWER	S. M. FEE	TOTAL
1	4.35	3.44	0.96	8.75	1	4.52	3.87	0.96	9.35
2	8.70	6.88	1.92	17.50	2	9.04	7.74	1.92	18.70
3	13.06	10.33	2.88	26.27	3	13.57	11.62	2.88	28.07
4	17.41	13.77	3.84	35.02	4	18.09	15.49	3.84	37.42
5	21.76	17.21	4.80	43.77	5	22.61	19.36	4.80	46.77
6	26.11	20.65	5.76	52.52	6	27.13	23.23	5.76	56.12
7	30.46	24.09	6.72	61.27	7	31.65	27.10	6.72	65.47
8	34.82	27.54	7.68	70.04	8	36.18	30.97	7.68	74.83
9	39.17	30.98	8.64	78.79	9	40.70	34.85	8.64	84.19
10	43.52	34.42	9.60	87.54	10	45.22	38.72	9.60	93.54
11	47.87	37.86	10.56	96.29	11	49.74	42.59	10.56	102.89
12	52.22	41.30	11.52	105.04	12	54.26	46.46	11.52	112.24
13	56.58	44.75	12.48	113.81	13	58.79	50.33	12.48	121.60
14	60.93	48.19	13.44	122.56	14	63.31	54.20	13.44	130.95
15	65.28	51.63	14.40	131.31	15	67.83	58.08	14.40	140.31
16	69.63	55.07	15.36	140.06	16	72.35	61.95	15.36	149.66
17	73.98	58.51	16.32	148.81	17	76.87	65.82	16.32	159.01
18	78.34	61.96	17.28	157.58	18	81.40	69.69	17.28	168.37
19	82.69	65.40	18.24	166.33	19	85.92	73.56	18.24	177.72
20	87.04	68.84	19.20	175.08	20	90.44	77.43	19.20	187.07
21	91.39	72.28	20.16	183.83	21	94.96	81.31	20.16	196.43
22	95.74	75.72	21.12	192.58	22	99.48	85.18	21.12	205.78
23	100.10	79.17	22.08	201.35	23	104.01	89.05	22.08	215.14
24	104.45	82.61	23.04	210.10	24	108.53	92.92	23.04	224.49
25	108.80	86.05	24.00	218.85	25	113.05	96.79	24.00	233.84
26	113.15	89.49	24.96	227.60	26	117.57	100.66	24.96	243.19
27	117.50	92.93	25.92	236.35	27	122.09	104.54	25.92	252.55
28	121.86	96.38	26.88	245.12	28	126.62	108.41	26.88	261.91
29	126.21	99.82	27.84	253.87	29	131.14	112.28	27.84	271.26
30	130.56	103.26	28.80	262.62	30	135.66	116.15	28.80	280.61
31	134.91	106.70	29.76	271.37	31	140.18	120.02	29.76	289.96
32	139.26	110.14	30.72	280.12	32	144.70	123.89	30.72	299.31
33	143.62	113.59	31.68	288.89	33	149.23	127.77	31.68	308.68
34	147.97	117.03	32.64	297.64	34	153.75	131.64	32.64	318.03
35	152.32	120.47	33.60	306.39	35	158.27	135.51	33.60	327.38
36	156.67	123.91	34.56	315.14	36	162.79	139.38	34.56	336.73
37	161.02	127.35	35.52	323.89	37	167.31	143.25	35.52	346.08